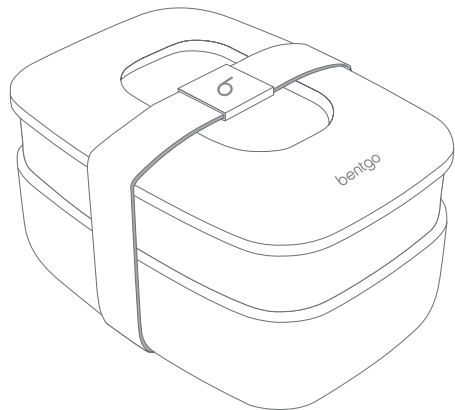
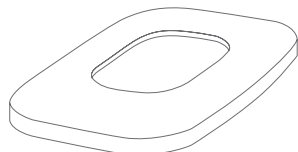


bentgo[®] classic

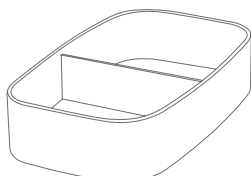
User's Manual



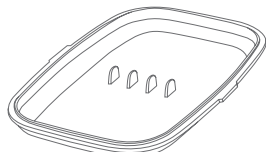
What's Included



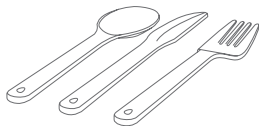
Top Lid



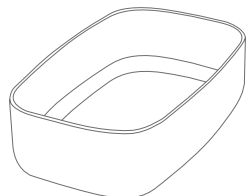
Top Container
(with built-in divider)



Divider Lid



Plastic Utensils



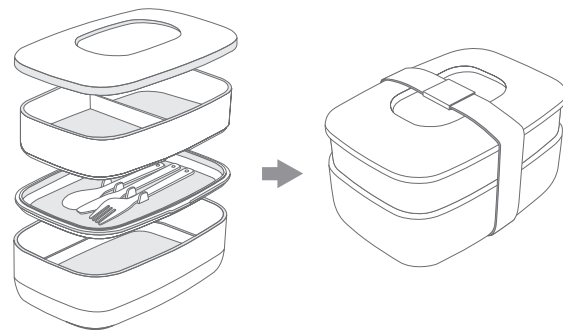
Bottom Container



Nylon Sealing Strap

Using Your Bentgo Classic

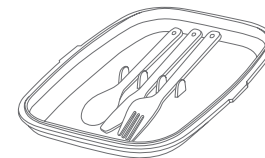
Bentgo Classic is the all-in-one stackable bento lunch box. Ideal for kids and adults alike, Bentgo Classic is the sleek lunch box solution for school, work, and travel. It makes packing and transporting food quick, easy, and eco-friendly.



To use, simply add your food to each container. Put the divider lid (with plastic utensils securely attached) on top of the bottom container. Next, place the top lid on the top container. Stack the top container on the divider lid so it hides the plastic utensils and stacks neatly on top of the bottom container. Use the nylon sealing strap to secure your Bentgo Classic lunchbox. Enjoy your meal to go!

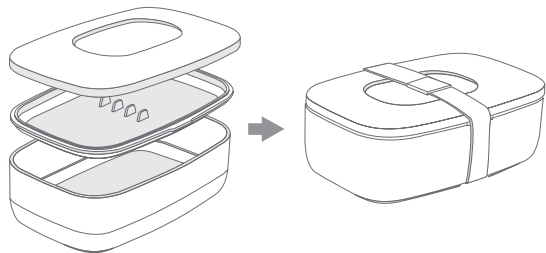
Positioning & Storing the Plastic Utensils

- Bentgo Classic includes a plastic fork, knife & spoon for convenience on the go
- The divider lid includes slots to easily store and travel with your plastic utensils
- To fit securely, ensure that the fork and spoon are pointing down (the fork prongs should be facing the divider lid)
- For the best fit, place the knife in the middle slot



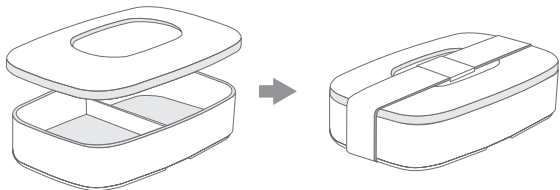
Using a Single Box

Bentgo Classic is designed to be stacked using both boxes & the sealing strap; However, if you have a smaller lunch, using one box is also an option:



Bottom, Larger Container

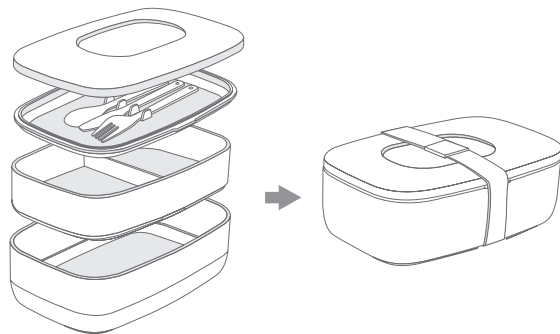
To use the bottom container on its own, use the divider lid (plastic utensils optional) and then the top lid and the sealing strap



Top, Smaller Container

To use the top container on its own, it should be sealed using the top lid & the sealing strap (strapped the long way for a tight fit)

Storing Bentgo Classic



- Bentgo Classic containers are designed to nest for space-saving storage
- To store, insert the top container into the bottom container, followed by the divider lid, top lid, and sealing strap

Cleaning Your Bentgo Classic

- Bentgo Classic is top-shelf dishwasher safe. For best results, do not heat dry.
- If the nylon sealing strap gets dirty, hand wash only.

Additional Features

- Microwave-safe (without the lids)
- Freezer-safe
- Made using healthy & eco-friendly materials
- No BPA, PVC, phthalates, lead, or vinyl
- Odor and stain-resistant

Warnings

- Bentgo Classic is not leak-proof. Using it to pack food that contains juices or other liquids is not recommended.
- Microwaving the containers is for reheating only — Do NOT microwave for more than 3 minutes.
- Do not microwave the top lid or divider lid. To preserve their tight fit, hand washing the lid is recommended.

Product Warranty

Bentgo offers an industry-leading 2 Year Warranty. If you have warranty or product questions, please contact us directly at:

Email: support@bentgo.com

Phone: (657) 275-3738

(Available Monday-Friday, 8am-5pm PST)

Specifications

Top Container Size	6.8" x 4.3" x 1.7" (without divider) 3.4" x 4.3" x 1.7" (each section)
Bottom Container Size	7" x 4.5" x 2.5"
Product Weight	12 oz.
Temperature Threshold	0° to 212° F

Materials*

Containers	PP Plastic
Top Lid & Silverware	ABS Plastic
Top Lid Sealer Lining	Silicone
Divider Lid	LDPE
Sealing Strap	Nylon

*All materials are food-grade safe and eco-friendly

bentgo

Santa Ana, CA 92704
bentgo.com

REV: 07-2021